

JRC

DGPS NAVIGATOR JLR-7700MKII

12-Channel Parallel for simultaneous reception of 12 satellites.

The DGPS Navigator composed of a DGPS receiver and a LCD display unit ensures very accurate position fixing.



JRC *Japan Radio Co., Ltd.*

Very accurate DGPS position fixing, large LCD graphics and simple operation



NNN-4331
DGPS Receiver

DGPS NAVIGATOR JLR-7700MKII

- Large LCD Display**
Necessary navigational information can be displayed on a large LCD screen at a glance, ensuring simple operation without troublesome switchover of displays.
- More Accurate DGPS Positioning**
Differential GPS position data is automatically received in DGPS service areas, and own ship's position fixes are displayed with very high accuracy.
- Waypoint Memory**
Up to 499 waypoints can be stored in the internal memory with their place names in 8 alphanumeric characters.
- Data Outputs**
Two data ports are provided: one is an RS-422 port, and the format is selectable from NMEA0180, NMEA0183 (version 1.5 or 2.1) and a JRC.
- Navigational Calculations**
Navigational calculations are made in the Great Circle or Rhumb Line mode.
- Loran C/A TD Display**
The GPS position fixes can be converted into Loran C or A time difference values and displayed on the LCD screen.
- Relay Contact Output**
A log pulse or external buzzer alarm signal is available from the relay contact output.
- Weather information display**
Local weather and sea conditions in coastal sea areas of Japan can be displayed.

Actual size

The DGPS Navigator offers position fixing with high accuracy anywhere in the world. Own ship's position, course, speed, planned route, bearing and distance are displayed on the large LCD screen.

DISPLAY EXAMPLES

<p>NAVIGATE</p> <p>Selected route: 010-011</p> <p>Current position (lat/Lon): 52°22.127 N, 4°12.586 E</p> <p>Course: 286° M</p> <p>Speed: 20.0 kt</p> <p>Course deviation value and direction to steer: 0.25R</p>	<p>PLOT</p> <p>Waypoints No.: 010-011</p> <p>Present route (dotted line)</p> <p>Own ship's mark (+mark flicker)</p> <p>Ship's track (solid line)</p> <p>Current position: 52°22.127 N, 4°12.586 E</p> <p>Course: 286° M</p> <p>Speed: 20.0 kt</p>	<p>SAT STATUS</p> <p>Satellite No.: 1</p> <p>Sat azimuth angle: 27°</p> <p>Sat elevation angle: 21°</p> <p>Receiving signal level: 33%</p> <p>Antenna height: 33m</p> <p>3D fix display: 30</p> <p>Beacon parameters: 295.0 MHz, 300 BPS</p> <p>Differential GPS fixing: 30</p>	<p>WAYPOINT MAKE</p> <p>Waypoint No.: 001</p> <p>List of characters: ABCDEFGHIJKL</p>	<p>WAYPOINT LIST</p> <p>Waypoint list:</p> <ul style="list-style-type: none"> 002 # ROTTER N 52°21.710' E 4°19.999' 003 # FISH1 N 52°21.901' E 4°20.312' 004 # FISH2 N 52°21.903' E 4°09.950' 005 # FISH3 N 52°21.398' E 4°19.950' 006 007
--	--	--	--	---

SPECIFICATIONS

Position Accuracy

GPS position fix: 15 m 2DRMS (HDOP 4)
 DGPS position fix: 5 m 2DRMS (HDOP 4)

Beacon Receiving

Receiving frequency: 283.5KHz to 325KHz
 Frequency step: 500Hz
 Beacon station selection: Automatic or manual setting
 of a frequency and baud rate.
 Demodulation: Minimum shift keying(MSK)
 RF bit rate: 50/100/200 bps

General Functions

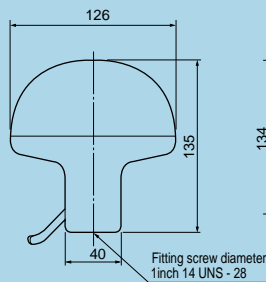
Display type: 5-inch STN LCD, 160 x 128 dots
 Back-lighting: EL (LCD), lamps (keyboard)
 Waypoint memory: Up to 499 waypoints including 100 event marks (WPT No. 400 to 499), each point with a place name in 8 alphanumeric characters
 Route plan: One route with up to 499 waypoints
 Alarms: Waypoint arrival, cross track error, anchor watch, boundary and no-fix
 Position correction: Selectable from 46 geodetic datum, and manual lat./lon. entry
 Display language: English or Japanese
 Operating temperature: DGPS Receiver: -25 to +55°C
 Display Unit: -15 to +55°C
 Power requirements: 12/24 VDC, 10W or less
 100/220 VAC with AC power supply unit (option)

COMPONENTS(Standard)

Component	Model	Q'ty
Display unit	NWZ-4570B	1
DGPS Receiver	NNN-4331	1
DC Power cable	CFQ-3598B	1
Screw mount	MTV302007	1
Fitting belt	MPBP02520	1set
DGPS connection cable	NQE-8919	1
Junction box	NQE-7700	2
Pole mounting kid	MPBP30608	1kit
Instruction parts	Copper tape, Connector	1set
Spare parts	2A Fuses	3
Instruction manual		1copy
Extension cable	250V-MPYCYS-5	Option

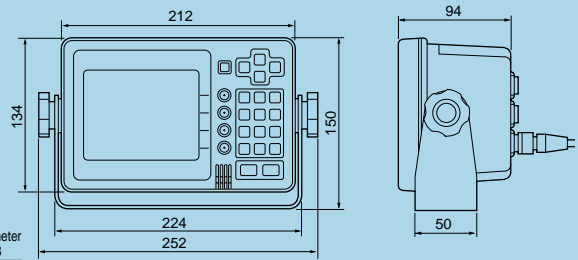
DIMENSION

DGPS Receiver (NNN-4331)



Weight: Approx. 1.7 kg

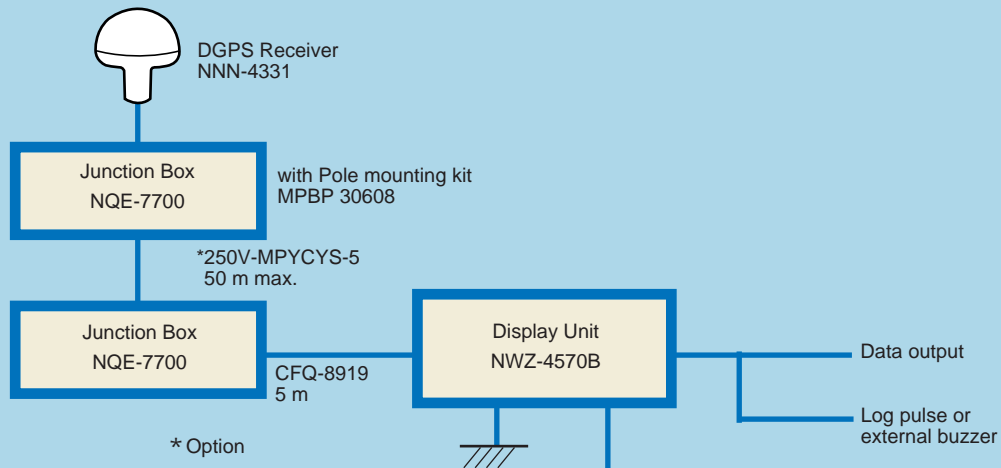
Display Unit (NWZ-4570B)



Weight: Approx. 1.8 kg

Unit:mm

SCHEMATIC DIAGRAM



* The equipment appearance and specifications may be subject to change without notice.

For further information, contact:



Since 1915

Japan Radio Co., Ltd.

URL <http://www.jrc.co.jp/>

Main Office: Akasaka Twin Tower(Main), 17-22,
 Akasaka 2-chome, Minato-ku, Tokyo 107-8432, JAPAN
 Telephone: Tokyo(03)3584-8788
 Facsimile: Tokyo(03)3584-8795
 Telex: 2425420 JRCTOK J Cable: JAPANRADIO TOKYO
Overseas Branches : Seattle, London
Liaison Offices : Kaohsiung, Manila, Bangkok,
 Singapore, Jakarta, New Delhi, New York, Amsterdam,
 Piraeus, Las Palmas

19EM

ISO9001,ISO14001 Certified